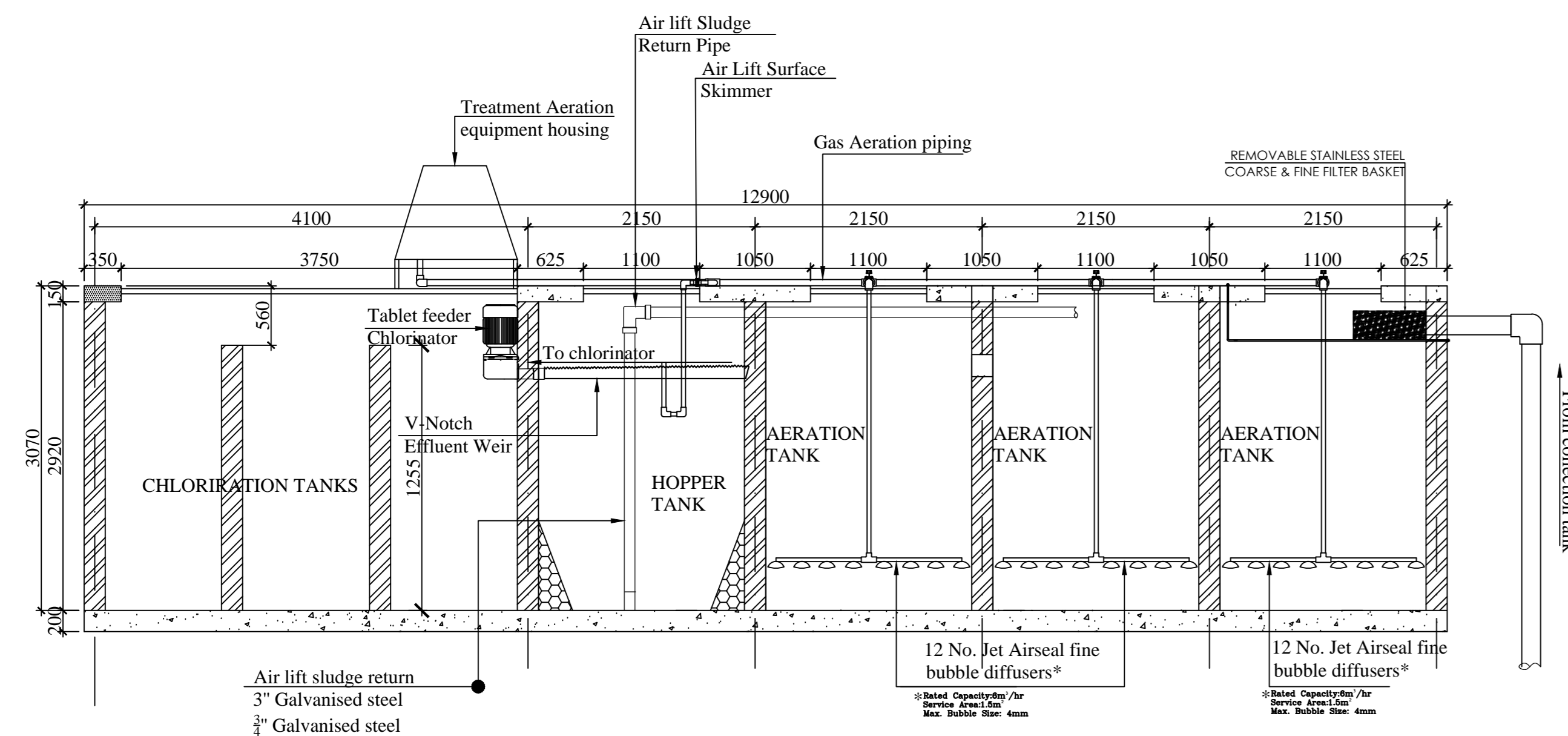
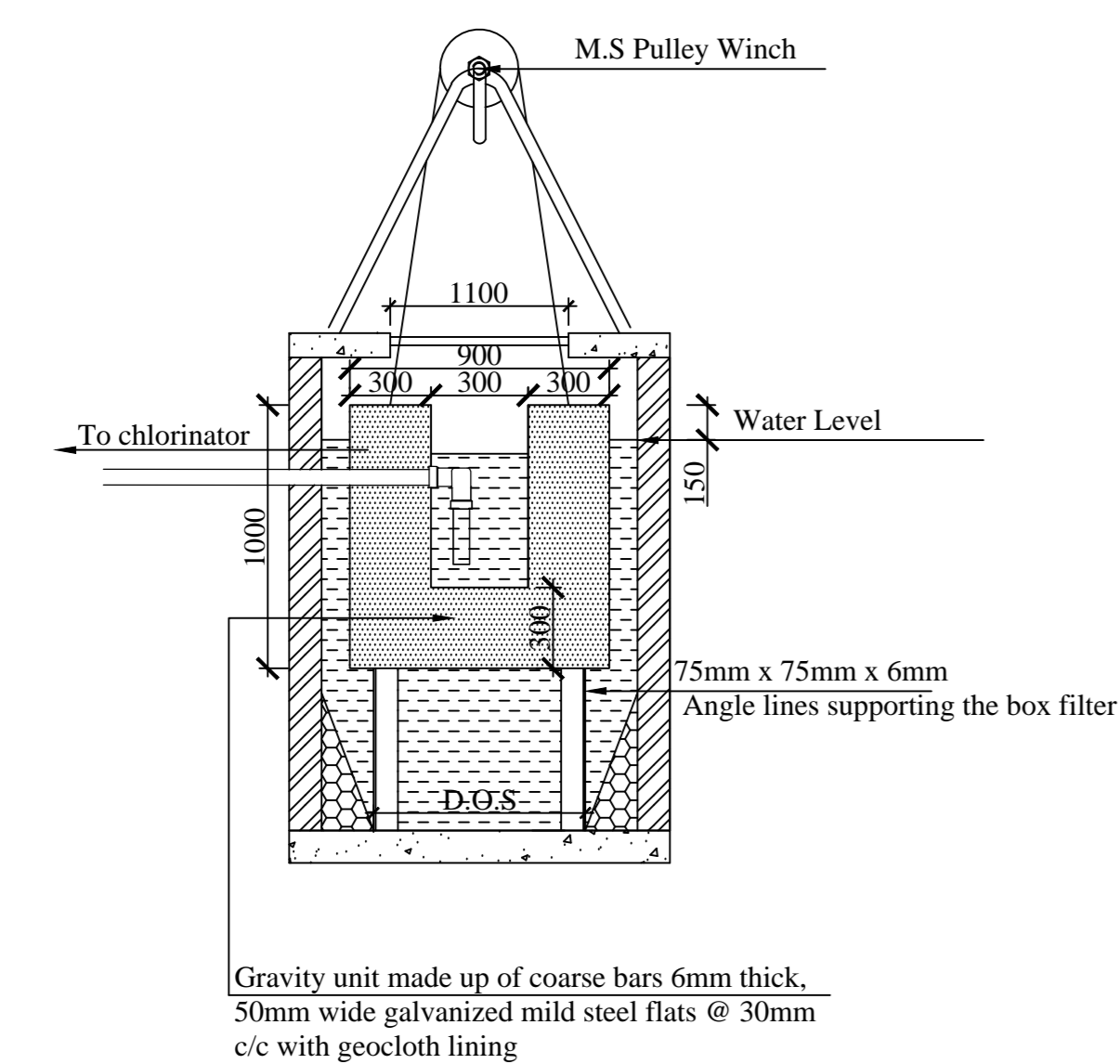


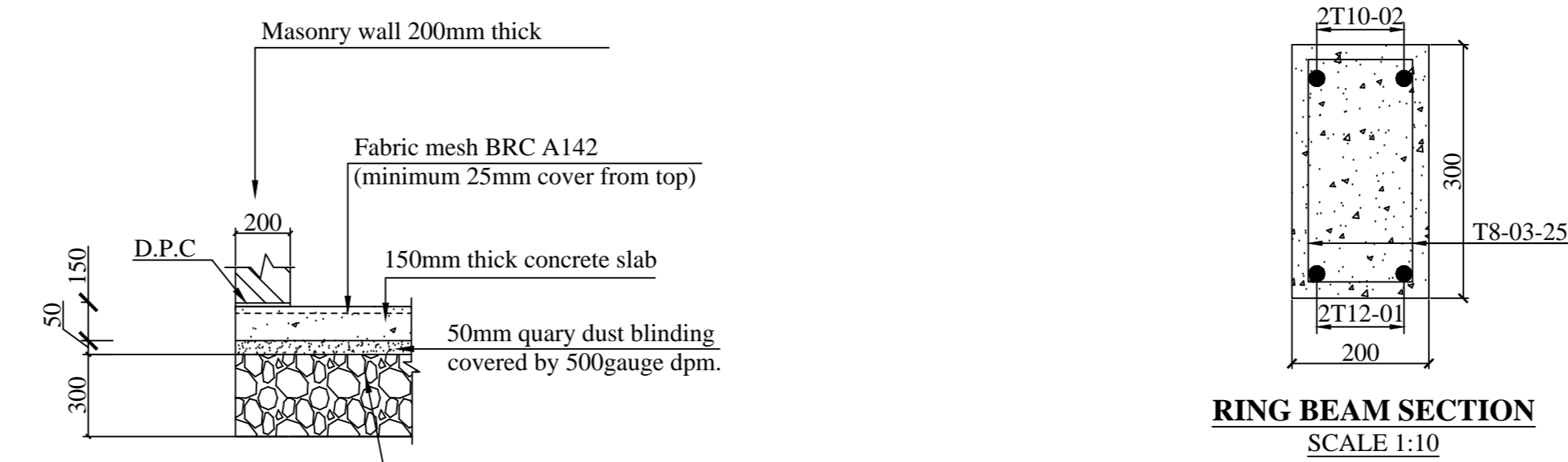
**TREATMENT PLANT LAYOUT**  
SCALE 1:50



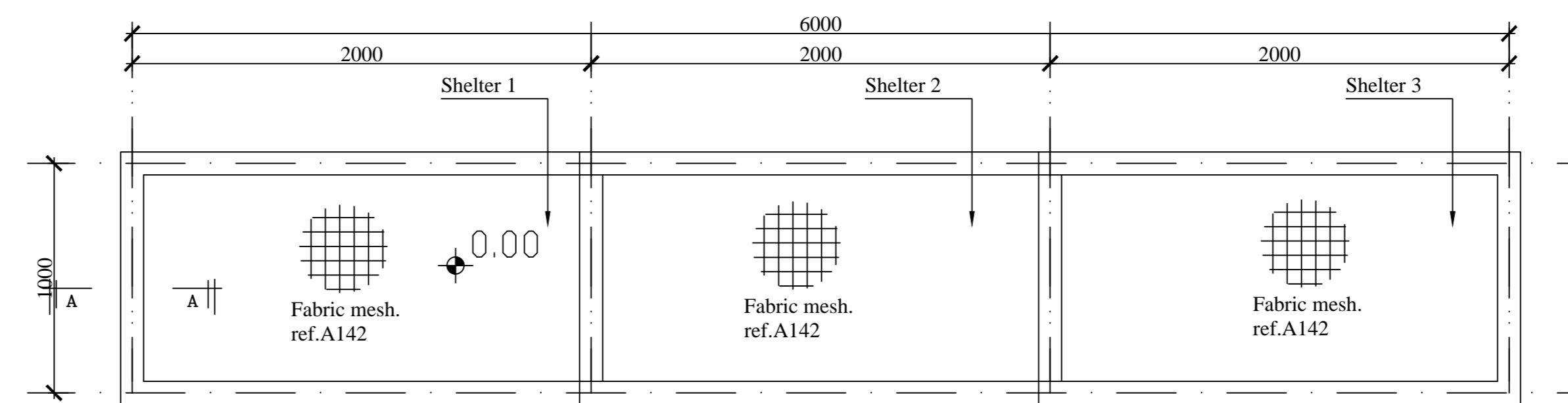
**TREATMENT SECTION 3-3**  
SCALE 1:50



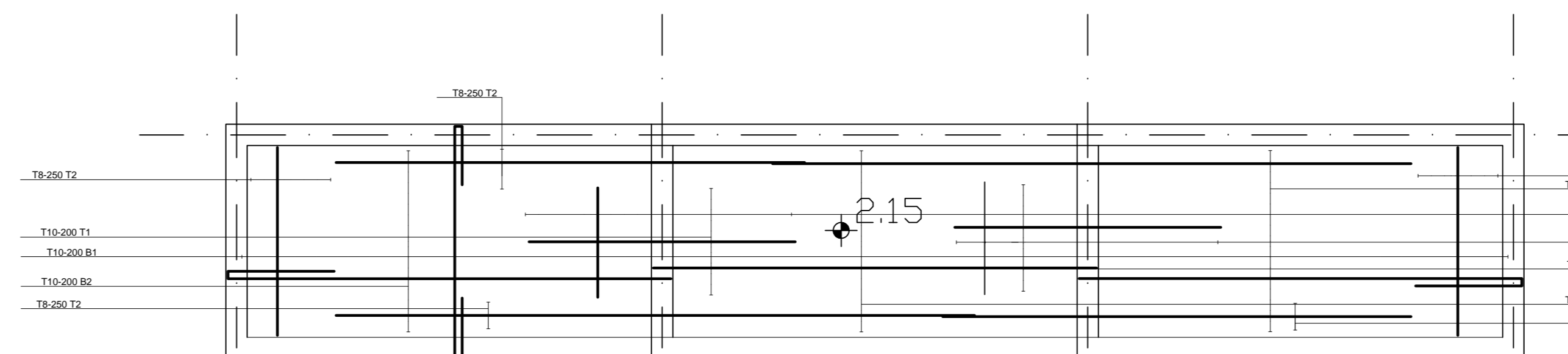
**SECTION THROUGH HOPPER TANK SHOWING THE BOX FILTRATION UNIT**



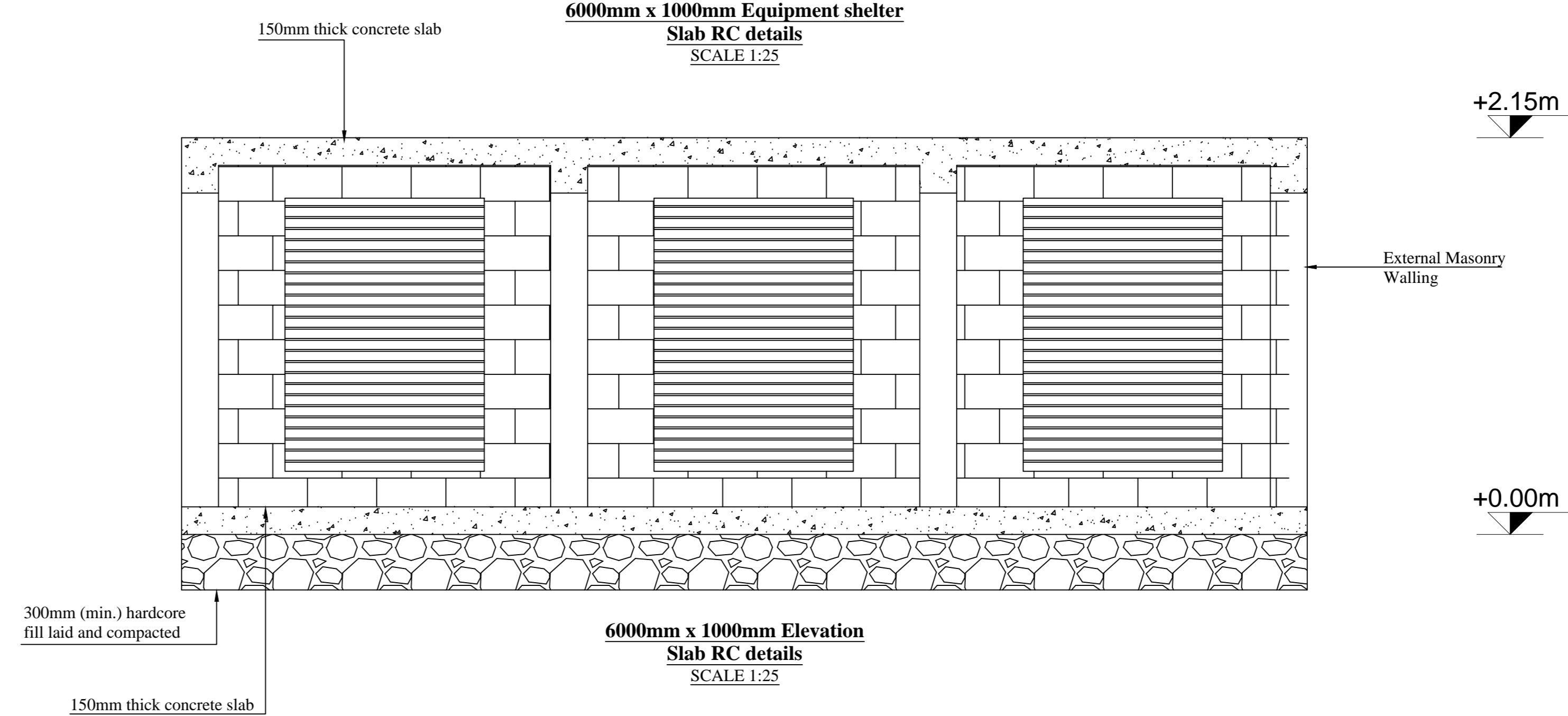
**RING BEAM SECTION**  
SCALE 1:10



**6000mm x 1000mm Plinth Foundation Layout**  
SCALE 1:25



**6000mm x 1000mm Equipment shelter Slab RC details**  
SCALE 1:25



**6000mm x 1000mm Elevation Slab RC details**  
SCALE 1:25

New Equipment Shelter 6mx1m (Partitioned to create 3 chambers of 2mx1m) contains:	
2 Mepro/Bioliff GTB series oil-free Multistage Centrifugal Blower Connected in Parallel	Minimum Capacity: 1200m <sup>3</sup> /hr
2 Filter Feeder Pumps Pedrollo F50/160, or Equivalent	Power Rating: 7.5 kW Current Rating: 15A
2 CX type, Pressure Filter units connected in series	Minimum Capacity: 30,000 litres/hr

\*NOTE: All Hydro-mechanical components are subject to The Engineer's Approval

- NOTES:**
- THIS DRAWING SHALL BE READ JOINTLY WITH RELEVANT ARCHITECTURAL DRAWING AND ANY DISCREPANCY TO BE EXPRESSED TO THE ENGINEER.
  - ALL DIMENSIONS ARE IN MM UNLESS OTHERWISE SPECIFIED.
  - DO NOT SCALE THIS DRAWING. USE INDICATED DIMENSIONS.
  - UNLESS OTHERWISE SPECIFIED, CONC MIX SHALL BE AS FOLLOWS:-
    - A- BLINDING CLASS 15(1:4:8) NOMINAL MIX
    - B- ALL FOUNDATION BASES AND COLUMNS CLASS 25 (1:1.5:3)
    - C - ALL SLABS AND BEAMS CLASS 20 (1:2:4) NOMINAL MIX
  - UNLESS OTHERWISE SPECIFIED, CONC COVERS TO MAIN REINFORCEMENT SHALL BE AS FOLLOWS:-
    - A-FOUNDATIONS -50MM
    - B-BASES -50MM
    - C-COLUMNS -40MM
    - D-STAIRCASE -25MM
    - E-BEAMS -25MM
    - F-SLABS -25MM
 MAXIMUM TOLERANCE TO CONC COVERS ±5MM
  - STEEL BARS IN ACCORDANCE WITH B.S. 4488.
  - ALL REINFORCEMENT BARS TO BE CUT ON SITE AFTER CONFIRMING THE DIMENSIONS AND ANY DIFFICULTY REFERRED TO THE ENGINEER.
  - ALL PLACEMENTS TO BE INSPECTED BY THE ENGINEER AND SHALL NOT BE CONCRETED WITHOUT HIS APPROVAL.
  - THE ENGINEER WILL ISSUE BAR BENDING SCHEDULES IN ACCORDANCE WITH B.S. 4486 AND SHALL BE CHECKED BY THE CONTRACTOR AGAINST DRAWINGS BEFORE CUTTING OR BENDING THE BAR AND ANY DISCREPANCY TO BE REFERRED TO THE ENGINEER
  - ALL TIMBER TO BE WELL SEASONED CYPRESS OR PODO TO CONFORM TO MINISTRY OF ROADS AND PUBLIC WORKS STANDARD OF GRADE 2 TIMBER FOR DRY EXPOSURE CONDITIONS.
  - ALL TIMBER MUST BE TREATED WITH ANTI-TERMITE/ANTI-FUNGAL CHEMICAL REQUIREMENTS E.G. COPPER -CHROME-ARSENIC.
  - MILD STEEL PLATE TO CONFORM TO THE REQUIREMENTS OF BS 5950 GRADE 43 STEEL YIELD STRESS = 275 N/mm<sup>2</sup>, PERMISSIBLE BENDING STRESS = 165 N/mm<sup>2</sup>.
  - THE CONTRACTOR SHALL BE RESPONSIBLE FOR ANY DELAYS OR ADDITIONAL WORK CAUSED BY HIS FAILURE TO REFER ALL DISCREPANCIES TO THE ENGINEER.

No.	REVISION	DATE
1		
2		
3		
4		
5		

**CLIENT:**  
KENYA POWER PENSION SCHEME

**PROJECT:**  
AUDIT AND REVIEW OF AN ON-SITE WASTE WATER TREATMENT PLANT AT LORESHO RIDGE ESTATE DEVELOPED ON PLOT L.R. No 21080/63

**TITLE:**  
WASTE WATER TREATMENT PLANT  
TREATMENT UNIT PLAN AND SECTION

DATE:	SCALE:	SHEET:
APRIL 2020	AS SHOWN	1 OF 1
DRAWN:	S.S	
DESIGNED:	S.O	
CHECKED:	S.O	



DWG No. ECEL/KPPF/CIV02/04/20